



W White

Features

Colour

White

Manufacturing

- Dual speed fan
- Washable anti-grease filter (included)

Wattage & voltage

See the selection table.

Control

- On/off/speed switch
- Lighting control
- Integrated light (bulb non-included)

Installation

- Vertical or horizontal installation
- Installation with or without duct (rectangular or round)
- Anti-odour charcoal filter (optional)

Maximum distance

- Gas or electrical range: 30 in. (76.2 cm)

Minimum distance

- Electrical range: 20 in. (50.8 cm)
- Gas range: 24 in. (61 cm)

Warranty

1 year

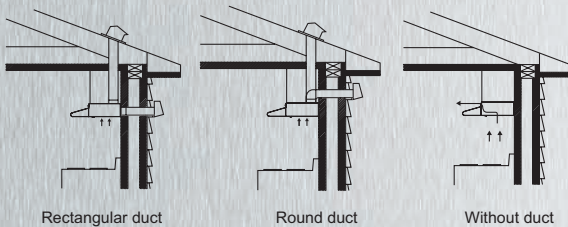
SELECT

Efficient yet affordable

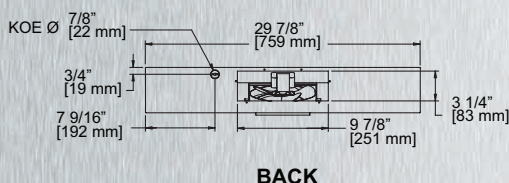
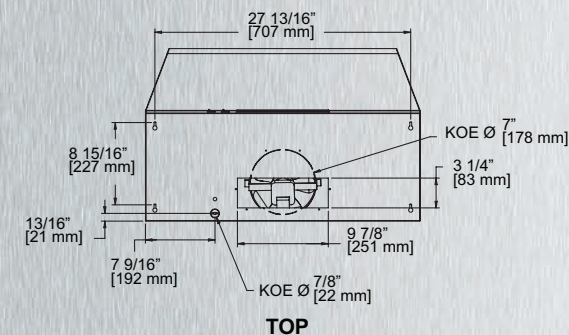
The SRH hood is efficient in taking care of cooking fumes. Its easy-to-reach buttons control the extraction speed and light the integrated bulb. Moreover, its large inner shell is easy to clean. It can be ducted to exterior through a wall or ceiling or used with a charcoal filter for mandatory air recirculation.

- Anti-odour charcoal filter (optional)
- Installation with or without duct
- Dual speed fan
- Integrated light (bulb non-included)
- Modern design
- Washable anti-grease filter (included)
- Three possible installations with duct

Installation



Dessins techniques



Selection table

Type	vertical/round		vertical/rect.		horizontal/rect.	
	sones	cfm	sones	cfm	sones	cfm
SRH20030W	7.9	212	7.0	173	7.4	175

Conforms to UL STD 507
Certified to CSA STD 22.2 NO 113
ETL listed (3132798)

