

# EXHAUSTO

## Chimney Fan RS 009-016

### Use

The EXHAUSTO RS Fan is an exhaust fan used to maintain proper draft in a chimney or stack system. The RS Fan is suitable for use with both gas and solid-fuel burning appliances.

Typical uses include venting of fireplaces, BBQ's, pizza ovens and wood stoves.

### Description

The RS Fan should be installed at the termination point of the chimney or stack section. It is typically mounted in the vertical position but may be side-wall vented as well.

The fan assures a negative pressure is maintained in the entire chimney or stack system. The fan discharges horizontally (vertically, if side-wall vented) at a high velocity.

The fan housing is hinged and the top can be opened for easy service and access to stack.

For use with gas, wood, coal, pellets, oil and other types of fuel.

### Material

Housing is 3/16" thick cast aluminum. Finished with one coat of grey hammerpaint for added corrosion resistance.

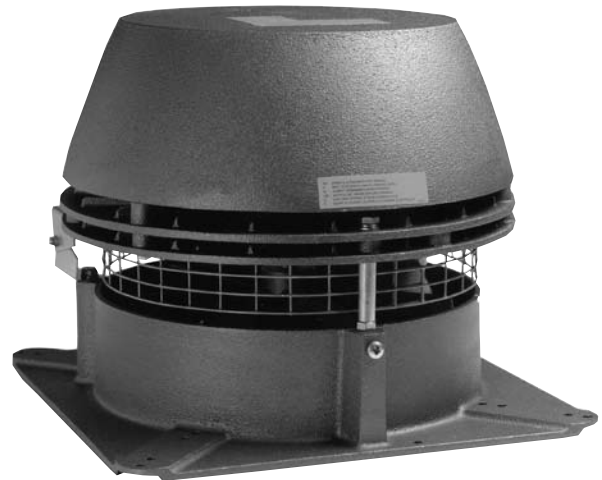
Axial vanes are stainless steel, dynamically and statically balanced to assure low noise level and vibration-free operation.

### Motor

Split capacitor, totally enclosed. Class H insulated, IP54 Protection Class. Sealed ball bearings. Variable Speed. Thermal overload protection.

### Standard Equipment

2"x4" or 4"x4" Junction Box with Cover and Conduit  
Fiber Mat and Mounting Brackets  
Bird Screen  
5 Amp Fan Speed Control



### Optional Equipment

EBC 10 Fan Control  
EBC 11 Fan & Damper Control  
EFC 211 Fan Control  
EW 40 Wireless Control  
Proven Draft Switch

### Listings

ETL Listed to:

UL378, Standard for Draft Equipment  
CSA-CAN3-B255-M81, Standard for Mechanical Flue Gas Exhausters

### Approvals

CE Compliant  
The Commonwealth of Massachusetts  
City of Los Angeles, CA (RR 8474)

### Warranty

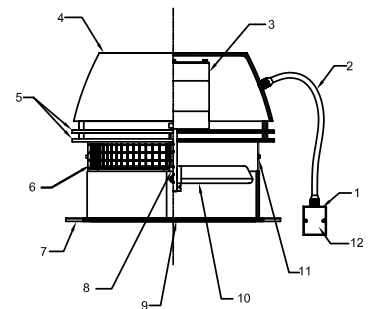
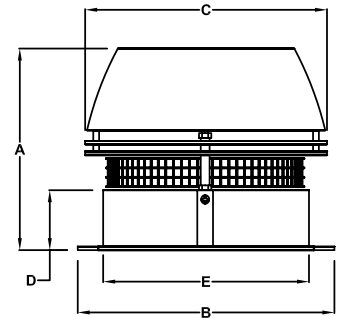
2-year factory warranty on entire fan.  
10-year warranty against corrosion perforation.

Manufactured at ISO9001 certified plant.

Specifications are subject to change without notice.

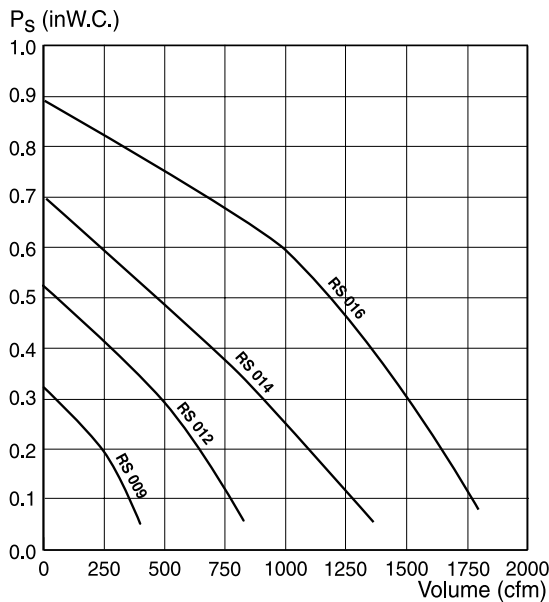
Specifications

Model		RS 009	RS 012	RS 014	RS 016	
Discharge		Horizontal				
Fan Type		Axial Vane				
Motor Type		Totally enclosed, Variable speed, Class H				
Voltage	V AC	1x120				
RPM		1600				
CFM	0.0 Ps	450	950	1400	1950	
Amperage	Amps	0.5	1.2	1.4	3.9	
Motor Output	HP	1/30	1/10	1/7	1/3	
	KW	0.025	0.08	0.1	0.25	
Weight	lbs	29	37	47	61	
	kg	13	17	21	28	
Dimensions	A	in	10.2	11.5	13.1	16.0
		mm	259	292	334	407
	B x B	in	11.7	14.3	16.6	18.8
		mm	296	364	422	478
	C	in	10.8	13.5	15.5	17.4
		mm	275	344	395	441
	D	in	3.0	3.3	3.9	3.9
		mm	75	85	100	100
	E	in	9.4	11.6	13.5	15.4
		mm	238	294	342	391
	Temperature Rating	Interm.	575°F/300°C			
		Cont.	482°F/250°C			



- 1 Junction Box
- 2 Conduit/cord
- 3 Motor
- 4 Motor Housing
- 5 Cooling Plates
- 6 Bird Screen
- 7 Base Plate
- 8 Locking Nut
- 9 Inlet
- 10 Axial Vane
- 11 Hinges
- 12 Capacitor (inside junction box)

Capacity



Sound Data

Model	Lw dB (measured in accordance with ISO 3744)							Lp dB(A)
	125Hz	250Hz	500Hz	1000Hz	2000Hz	4000Hz	8000Hz	
RS 009	54	50	47	43	38	31	25	21
RS 012	64	60	55	52	48	42	34	30
RS 014	75	69	65	62	57	51	44	41
RS 016	81	76	72	69	64	58	52	47

