



- ✓ **Independent fan relay**
 for starting the fan in order to reduce the demand on the first sequencer
- ✓ **Adjustable louvers**
 better control over static pressure, airflow and ΔT
- ✓ **Multiple installation positions**
 upflow, downflow or horizontal

A smart choice!

This furnace offers all the basic functions while respecting the quality standards and reliability of Stelpro products. The SEFL furnace adapts to air volume and residential conduit configurations. It can be installed in mobile homes using the FSB1 adapter. Power, versatility and safety are all joined together in one single unit.

Features

finish: galvanized steel **manufacturing:** robust monopiece galvanized steel cabinet • adjustable louvers (better control over static pressure, airflow, ΔT and noise) • one door providing easy access to all components • disposable air filter 20 x 20 in. (included) • compatibility mechanism for air conditioners and heat pumps (included) **motor:** totally enclosed, permanently lubricated fan motor • design includes a motor start relay for starting the fan in order to reduce the demand on the first sequencer **wattage & voltage:** see the selection table **elements:** separately framed elements allowing quick and easy replacement • M-shaped elements supports increasing heat transfer surface **control:** continuous fan switch **installation:** three possible installation positions: upflow, downflow or horizontal **warranty:** 5 years

Selection table

product code	power		voltage		amperage		power		motor		height		width		length		weight		price
	kilowatts	volts	amps	volts	hp	amps	hp	speeds	mm	in.	mm	in.	mm	in.	lb	kg			
SEFL1521	15.0/11.2	240/208	65/56	240/208	1/3	65/56	1/3	4	929	36 9/16	511	20 1/8	538	21 3/16	100	45	882.00		
SEFL1821	18.0/13.5	240/208	77/67	240/208	1/3	77/67	1/3	4	929	36 9/16	511	20 1/8	538	21 3/16	100	45	909.00		
SEFL2021	20.0/15.0	240/208	85/74	240/208	1/3	85/74	1/3	4	929	36 9/16	511	20 1/8	538	21 3/16	100	45	909.00		

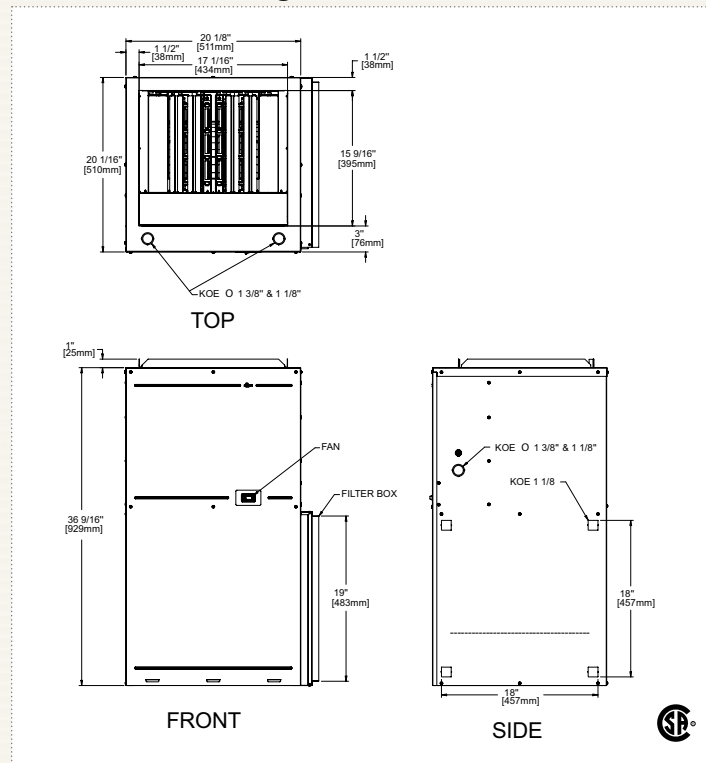
Prices indicated in this catalog are valid 90 days starting from March 1, 2011. For all the updated prices, please refer to the Web site.

Speeds and dampers

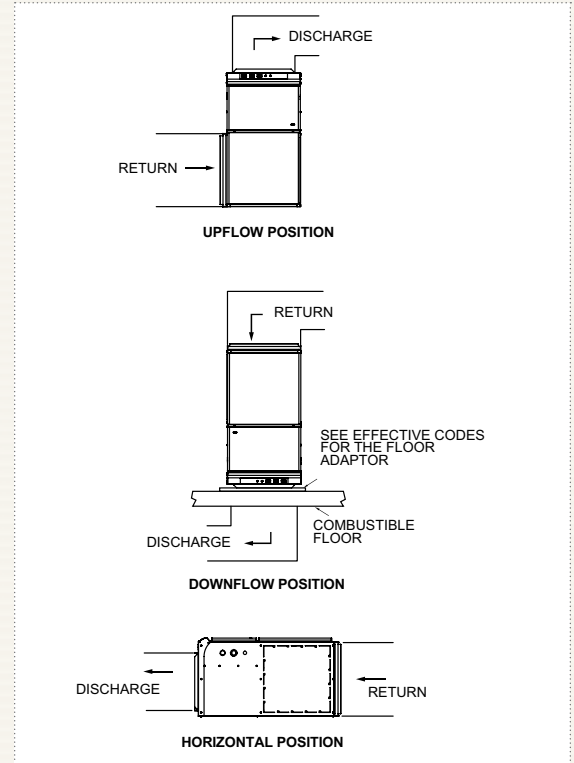
15 to 20 kW

unit	ESP	damper 1	damper 2	damper 3	L		ML		MH		H	
kW	PCE	degrees	degrees	degrees	cfm	ΔT (°F)	cfm	ΔT (°F)	cfm	ΔT (°F)	cfm	ΔT (°F)
15	0.2	45	45	0	896	50	952*	47*	1088	41	1129	40
18	0.2	45	45	0	896	60	952*	57*	1088	50	1129	48
20	0.2	45	60	0	896	67	952*	63*	1088	55	1129	53
15	0.5	45	45	0	817	55	970*	46*	1017	44	1052	43
18	0.5	45	45	0	817	66	970*	56*	1017	53	1052	51
20	0.5	45	60	0	817	73	970	62	1017*	59*	1052	57

Technical drawings



Installation



Accessories/filters

For optimum efficiency and a better air quality: add a Stelpro filter

code	description	dimensions	MERV	price
SF16253	filter only	16 x 25 x 3	7	34.00
SF16254	filter only	16 x 25 x 4	8	38.00
SF16255	filter only	16 x 25 x 5	11	51.00
SF20204	filter only	20 x 20 x 4	8	38.00
SF20205	filter only	20 x 20 x 5	11	52.00
SF20254	filter only	20 x 25 x 4	8	42.00
SF20255	filter only	20 x 25 x 5	11	58.00
SFR16255	filter rack	16 X 25 X 5 po	---	65.00
SFR16256	filter rack	16 X 25 X 6 po	---	68.00
SFR20205	filter rack	20 X 20 X 5 po	---	64.00
SFR20206	filter rack	20 X 20 X 6 po	---	66.00
SFR20255	filter rack	20 X 25 X 5 po	---	69.00
SFR20256	filter rack	20 X 25 X 6 po	---	71.00
SFRF16253	filter rack and filter	16 X 25 X 3 po	7	91.00
SFRF16254	filter rack and filter	16 X 25 X 4 po	8	95.00
SFRF16255	filter rack and filter	16 X 25 X 5 po	11	111.00
SFRF20204	filter rack and filter	20 X 20 X 4 po	8	94.00
SFRF20205	filter rack and filter	20 X 20 X 5 po	11	109.00
SFRF20254	filter rack and filter	20 X 25 X 4 po	8	103.00
SFRF20255	filter rack and filter	20 X 25 X 5 po	11	121.00
FSB1	adapter	---	---	90.00

